

new

## Manual changeover switches, 63 to 1600A

Allows manual switch, changeover switch or on load power circuit permutation.

For safety breaking.

- 4P,
- lockable on position: I, O or II
- Mounting on perforated plate or crossbars.

• Comply with NF EN 60 947-3.

• Connection with terminals.



HI451I

Description	Characteristics	In/A	Catalogue No.
<b>Manual changeover switches</b>	4P	63A	<b>HI403I</b>
	3 positions: I-O-II	100A	<b>HI405I</b>
		125A	<b>HI451I</b>
		160A	<b>HI452I</b>
		250A	<b>HI454I</b>
		400A	<b>HI456I</b>
		630A	<b>HI458I</b>
		800A	<b>HI460I</b>
		1250A	<b>HI462I</b>
	1600A	<b>HI464I</b>	

### External handle

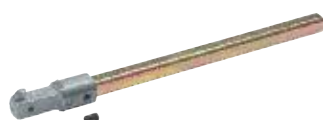
3 positions: 0-I-II  
locked with 3 padlocks

for switches 250 to 400A

**HZI002I**

for switches 800 to 1600A

**HZI003I**



HZC101I

### Shaft extension

for switches 125 to 630A, 200mm  
for switches 125 to 630A, 320mm  
for switches 125 to 160A, 200mm  
for switches 125 to 160A, 200mm

**HZC101I**

**HZC102I**

**HZC105I**

**HZC106I**

### Terminal shroud

for switches 125 to 160A

**HZC202I**

top and bottom  
2 pieces / packaging

for switches 200 to 400A

**HZC204I**

for switches 400 to 630A

**HZC206I**

### Auxiliaries contacts

for switches 125 to 1600A  
1NO + 1NC

**HZ160I**



HZC204I

### Insulated busbars

for switches 100 to 125A

**HZ156RI**

### Terminal shield

for HI460

**HZ163MI**

top bottom

for HI462 and HI464

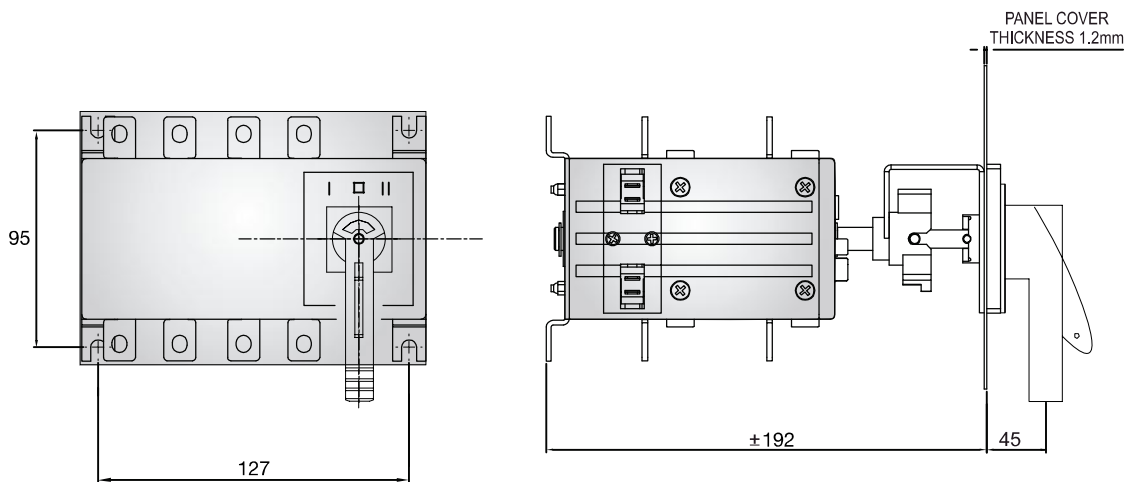
**HZ164MI**

## Technical characteristics

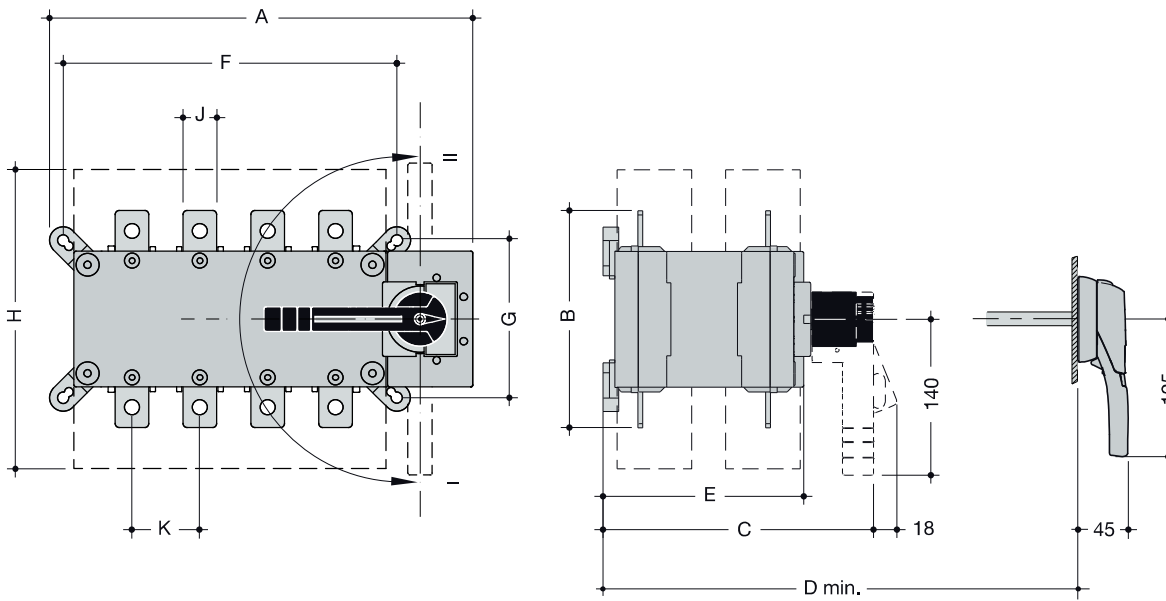
	HI403I	HI405I	HI451I	HI452I	HI453I	HI454I	HI455I	HI456I	HI458I	HI460I	HI461I	HI462I	HI464I
In	63 A	100 A	125 A	160 A	200A	250 A	315A	400 A	630 A	800 A	1000A	1250 A	1600 A
insulation voltage $U_i$ (V)	750	750	800	800	800	800	1000	800	1000	1000	1000	1000	1000
impulse withstand voltage $U_{imp}$ (kV)	6	6	8	8	8	12	12	8	12	12	12	12	12
$I_e$ AC 22A / 22B, 400 V (A)	63	100	125	160	200	250	315	400	630	800	1000	1250	1600
$I_e$ AC 23A / 23B, 400 V (A)	63	100	125	160	200	250	315	250	500	800	1000	1250	1600
operational power (kW) AC 23A à 400 V	30	30	63	80	80	132	132	220	280	450	710	710	710
short circuit current with gG DIN fuses (kA)	80	80	100	100	50	50	50	18	70	50	100	100	100
associated fuse rated (A)	63	100	125	160	200	250	315	400	630	800	1000	1250	2 x 800
rated short circuit making capacity $I_{cm}$ (kA peak)	15	15	12	12	12	17	22	15,3	30	48	75	75	86
rated short time withstand current $I_{cw}$ (kA/1s)	5	5	7	7	7	9	9	9	13	26	35	50	50
mechanical endurance (cycles)	10000	10000	10000	10000	10000	10000	10000	8000	5000	3000	10000	4000	4000
connection for lugs (mm <sup>2</sup> )	16	25	50	95	120	150	240	240	2 x 300	2 x 300	4 x 185	4 x 185	6 x 185

## Dimensions diagram (in mm)

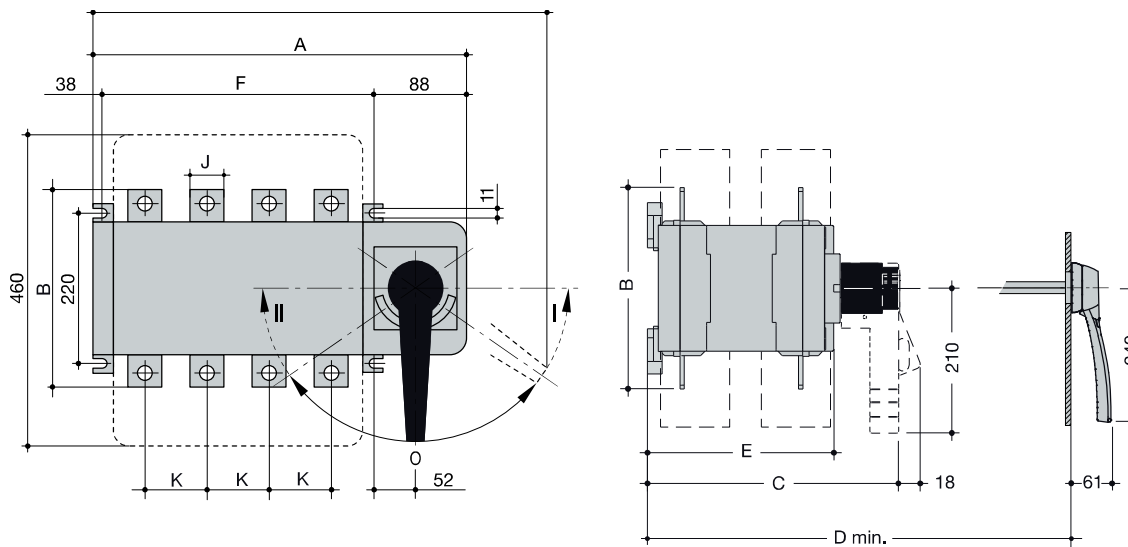
### 63A - 100A



## 125A - 630A



## 800A - 1600A



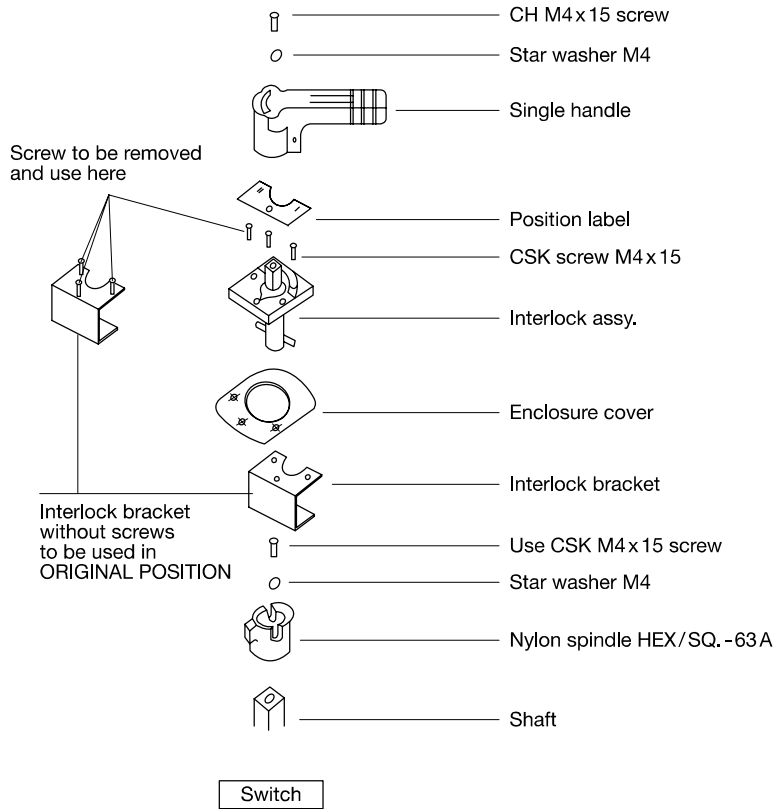
### Dimensions (in mm)

	Rating	A	B	C	D	E	F	G	H	J	K	L
<b>HI451I</b>	125A	251	135	218	208	148	186	101	235	20	36	-
<b>HI452I</b>	160A	251	135	218	208	148	186	101	235	20	36	-
<b>HI453I</b>	200A	251	160	218	208	148	246	116	280	20	50	-
<b>HI454I</b>	250A	312	160	218	208	148	246	116	280	25	50	-
<b>HI455I</b>	315A	312	170	218	208	148	246	116	280	35	50	-
<b>HI456I</b>	400A	312	170	218	208	148	246	116	280	35	50	-
<b>HI458I</b>	630A	379	260	295	285	225	306	176	400	45	65	-
<b>HI460I</b>	800A	460	320	374	390	302	335	220	460	50	80	609
<b>HI461I</b>	1000A	466	321	375	425	298	336	250	459	50	80	-
<b>HI462I</b>	1250A	592	330	374	390	302	467	220	460	60	120	741
<b>HI464I</b>	1600A	592	360	374	390	302	467	220	460	90	120	741

## Fixing of door interlock mechanism

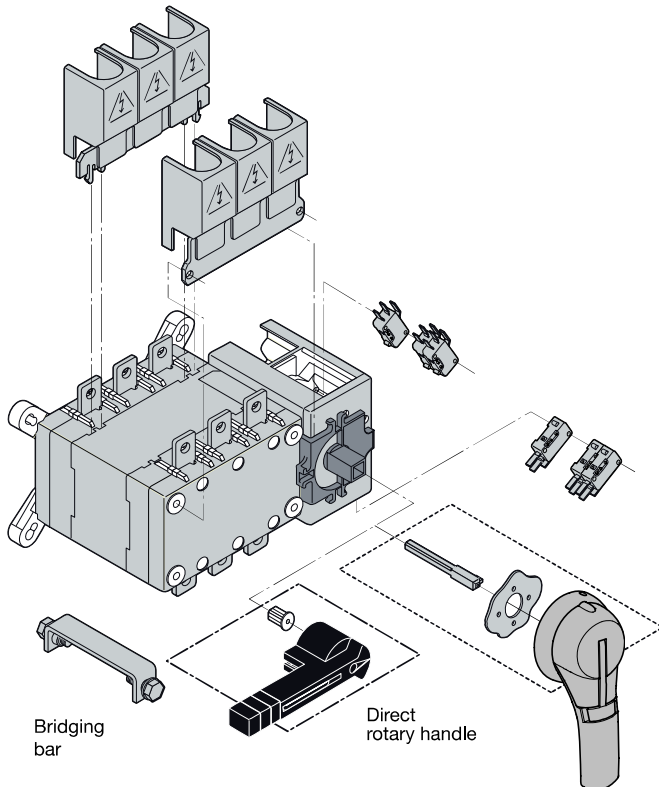
Rating: 63A - 100A

Change over switch



## Mounting

Rating: 125A - 630A

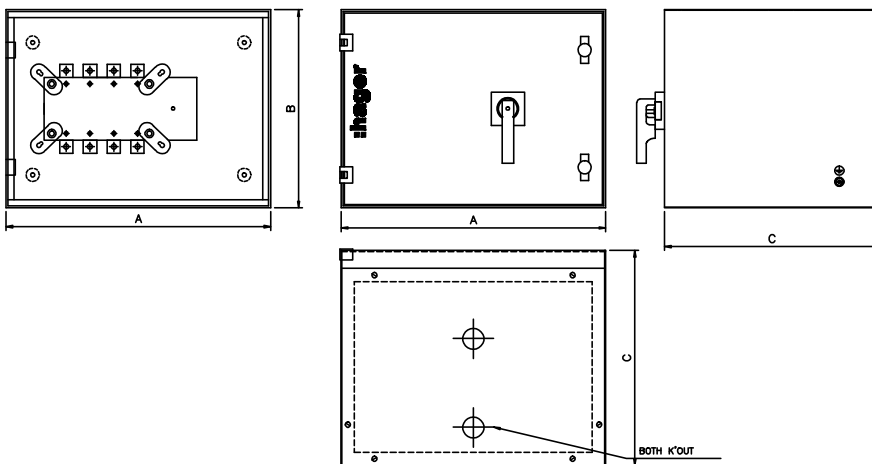


## Enclosure for Manual Changeover Switch



# Note: Enclosures are supplied, assembled together with Manual Changeover Switch

### Diagram:



### Dimensions (in mm)

	Rating	A	B	C	K'OUT
<b>VYE63M</b>	63A	250	202	205	32
<b>VYE100M</b>	100A	250	202	205	32
<b>VYE125M</b>	125A	355	350	275	32
<b>VYE160M</b>	160A	355	350	275	32
<b>VYE250M</b>	250A	420	410	275	50
<b>VYE400M</b>	400A	420	410	275	50
<b>VYE630M</b>	630A	520	580	353	50
<b>VYE800M</b>	800A	610	680	538	50
<b>VYE1000M</b>	1000A	800	680	538	50
<b>VYE1250M</b>	1250A	800	680	538	50
<b>VYE1600M</b>	1600A	800	680	538	50